
Warning and Notes

The light should never be exposed to rain or moisture, otherwise system failure may occur.

Never use the light with any battery or power supply that isn't correctly rated for use with the light.

Do not be concerned if the unit has minimal heat output, this is normal.

Please do not place light near flammable liquids or solvents.

You can clean the light with a soft dry cloth. You can wash dirt with a neutral detergent on the soft cloth if necessary.

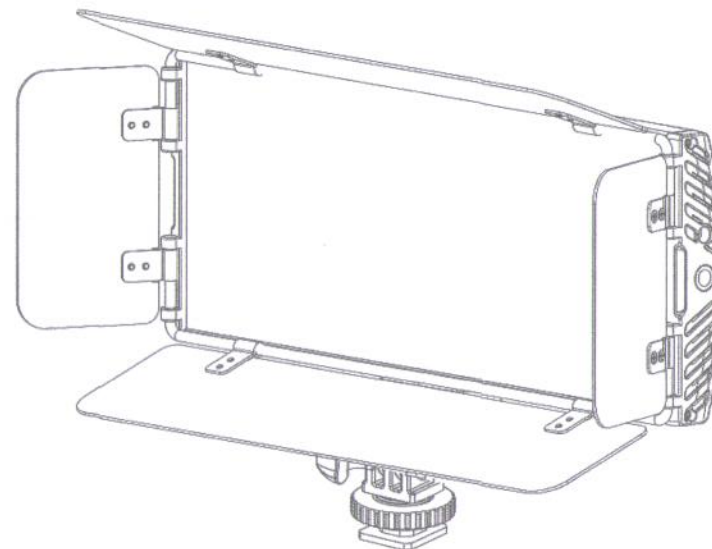
Keep the light out of reach of children.

Do not disassemble the light, touching the internal circuitry could result in injury or cause the light to no longer function and void warranty.

Please cut off the power to the light when not in use.

Note: The technical data included are subject to change without notice.

bescor Series LED User Guide



Model: Photon

Bescor Video Accessories ● 244 Route 109 Farmingdale ● NY 11735

631-420-1717 ● www.bescor.com ● answers@bescor.com

Product Information

HOTON On-Camera Bi Color LED Video Light provides optimal brightness, performance and color-changing capability in a lightweight, durable frame. Fitted with 30W high-quality LED

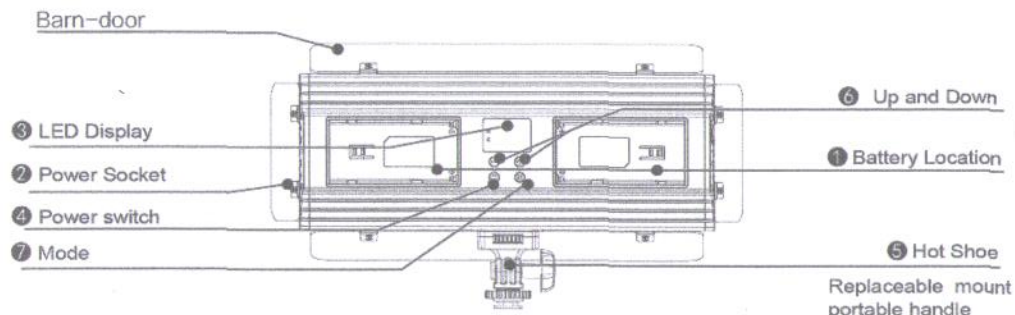
PHOTON provides high brightness and sharp clarity of pictures. Taking advantage of its ventilation system, this light fixture gives off little to no heat.

The camera light **PHOTON** can be implemented as a primary or supplementary light for various shooting configurations. Powered by 1 pcs of 7.4V lithium battery or external DC power supply, this is the ultimate on the go indoor and outdoor photo and video light. The **PHOTON** also features a hot shoe mount for installation on most DV and DSLR cameras. Elegant design with aluminum alloy housing, in a pocket size, the ultra thin LED camera light is the best companion for photographers.

Features

	PHOTON
Power	30W
Luminous Flux	3000LM
Color Temperature	3200K-5600K
Brightness	10%-100%
Light Source	Using high brightness high power SMD LED
Life	50000h
Battery Type	NP-F550、NP-F750、NP-F960
DC Input	DC13-17V
Shielding Index	90+
Dimensions (no hot shoe)	250*95*22mm

● Overview



1 Battery Location

2 Power Socket: External DC 13-17V power input

3 LED Display

When the indicator is blue, the LED display shows the brightness of the light ranging from 10(10%) to 99(99%), When the indicator is orange, the LED display shows the color temperature of the light ranging from 32(3200K) to 56(5600K).
When there is no indicator, digital tube display the current 2.4 G remote control channel 01-99.

4 Power switch: long press 1 second to power ON/OFF; Short press showing the battery remaining capacity.

5 Hot Shoe

6 Up and Down
In different mode, can be adjusted (increase or decrease) percentage of brightness, color temperature, and wireless remote control values.

7 Mode

Brightness control: press the M button, the blue indicator is on, and press ⊕ or ⊖ button to adjust the brightness from 10% to 99%;

Color temperature control: press the M button, the orange indicator is on, and press ⊕ or ⊖ button to adjust the color temperature from 3200K to 5600K.

