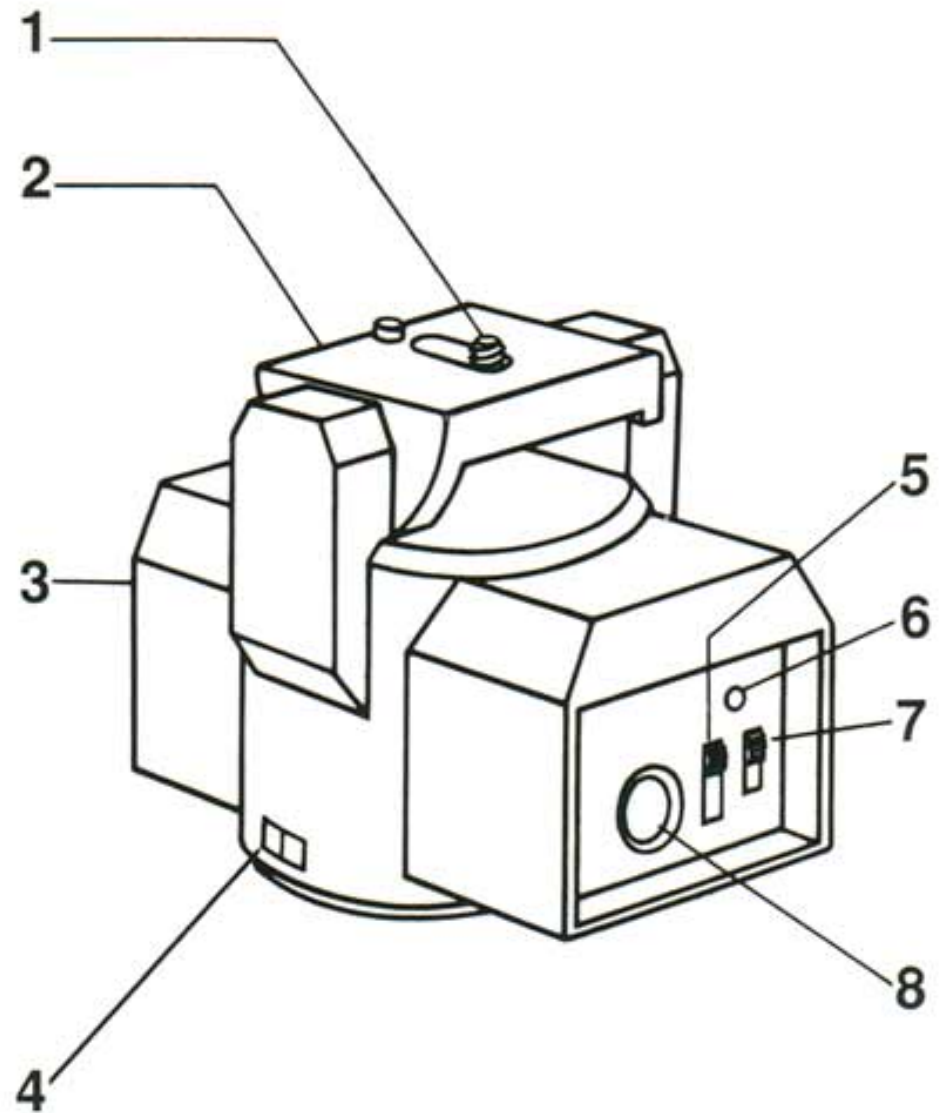
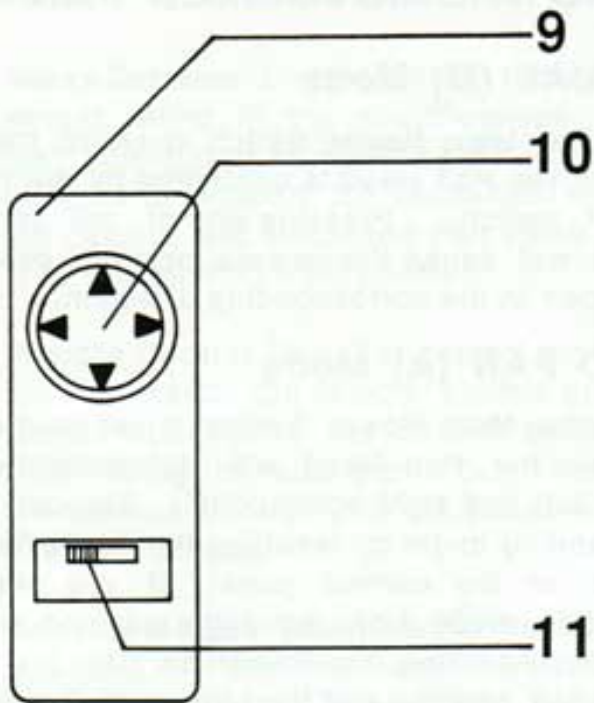


Instructions

**Electronic Motorized
Pan Head**
*Vertical $\pm 15^\circ$
Horizontal 340°*

PARTS IDENTIFICATIONS:





1. Camera Mounting Screw
2. Vertical Tilt Head
3. Battery Compartment Cover
4. Pan Angle Indicator
5. Auto Pan Angle Selector Switch
6. Power On LED Indicator
7. Main Power Switch
8. Remote Control Socket
9. Remote Control Unit
10. Direction Control
11. Variable Speed Selector

GENERAL INSTRUCTIONS:

A. Install the Batteries

Open the battery compartment by sliding the cover downward and hinging it outward, insert 4 AA batteries in the same position as the markings inside the battery compartment. For best performance Alkaline type or Ni-Cad rechargeable type batteries are recommended.

B. Mounting the Motorized Pan Head

The Motorized Pan Head may be fastened to any tripod or to any mounting device having a standard UNC ¼-20 mounting screw.

1. Before mounting the Motorized Pan Head, set the Pan Angle Indicator on the side of the unit to 0°. To do this plug in the Remote Control Unit, set the Main Power Switch on the Pan Head to M(manual) and press the right or left hand arrow on the Remote Control Unit until the angle shown on the Pan Angle Indicator decreases to zero. Alternatively you may set the Auto Pan Angle Selector Switch to 0° and set the Main Power Switch to A(Auto pan). The Pan Head will sweep through one cycle and stop at the 0° setting.
2. Mount the Pan Head so that the longest dimension is aligned in the same direction as the tilt head on your tripod. The control panel may be located at the front or back depending on which is more convenient.

C. Mount the Camera

Fasten the video camera or other device securely to the top of the tripod using the Mounting Screw. Align the optical axis of the Camera with the long dimension of the Motorized Pan Head body.

IMPORTANT NOTE:

Check that the mounting device or tripod is sturdy enough to support the combined weight of both the camera and Pan Head when the camera is tilted to the maximum position.

D. Turn on the Motorized Pan Head

1. Plug the Remote Control Unit cable into the socket on the control panel of the Pan Head.
2. Set the Main Power Switch on the control panel to either the M(Manual) or A(Auto Pan) setting. The green LED will light to show that the power is on.

NOTE: If the LED is dim or does not light, check that the batteries are fresh and are installed correctly.

USING THE MOTORIZED PAN HEAD:

MANUAL (M) Mode

When the Main Power Switch is set to the "M" position the Pan Head is controlled by the remote control switch. Pressing one of the direction arrows will cause the camera or other device to tilt or pan in the corresponding direction.

AUTO PAN (A) Mode

When the Main Power Switch is set to the "A" position the Pan Head will automatically pan to the left and right continuously. You can adjust the panning angle by resetting the Angle Selector Switch on the control panel. If you start the auto pan mode from an angle position outside the selected range, the Pan Head may first move to the 340° position and then return to the selected angle range. Selecting the 0° setting will cause the Pan Head to stop at the 0° position.

IMPORTANT NOTE: In Auto Pan (A) mode the direction control on the remote control unit is disabled and cannot be used. The remote control cable must remain connected to the Pan Head, however, in order to use the auto pan function.

VARIABLE SPEED SELECTOR

The sliding Variable Speed Switch on the Remote Control Switch can be used to change the speed of the vertical tilt and horizontal panning motion. With heavy cameras mounted on the Pan Head, the vertical tilt motion may be irregular at slow speed settings. In this case use a faster speed setting.

SPECIAL NOTES/PRECAUTIONS:

1. **Heavy Cameras** -Do not exceed the maximum weight rating in the specifications. Check that your tripod or mounting device is sturdy enough to support the combined weight of the camera and Motorized Pan Head when it is in the maximum tilt position.
2. **Remote Control Unit** -For correct function of the Pan Head, the remote control unit must remain attached to the control panel, even when using the auto pan mode. Removing the Remote Control Unit will cause all motor functions to stop.
3. **Uneven Motion** -When heavy cameras are mounted on the Pan Head the vertical tilt movement may be irregular at slow speed settings of the Variable Speed Switch. In this case a faster speed setting should be used. If the motion is irregular at the fastest speed setting, the batteries may be old and should be renewed.
4. **Manual Adjustment** -Both the tilt and panning mechanisms have a friction clutch to allow manual adjustment of the Camera position when the Pan Head is turned off. However, avoid using excessive force or sudden movements. DO NOT attempt to adjust the Pan Head past the specified maximum angles.

SPECIFICATIONS:

Power Source	: 4AA Batteries
Vertical Tilt Angle	: $\pm 15^\circ$ Maximum
Horizontal Panning Angle	: 340° Maximum
Maximum Speed-Vertical	: Approx. 2.4° /sec
Horizontal	: Approx. 8° /sec
Horizontal Auto Pan Settings	: 45° , 90° , 340°
Maximum Camera Weight	: 2.7 kg (6 lb)
Size (LxHxW)	: 145x115x103mm (5.75x4.5x4 inches)
Weight (without batteries)	: 800gm (28 oz.)