

Missing Accessories

White filter
Foot shoe
Manual

Warning and Notes

The light should be kept dry and ventilated while in use.

Please do not expose the light to rain or moisture, internal failure may occur

Please do not use the light with over rated voltage

It's normal for the fixture to be a little hot when running for a long period of time

Please do not look directly into the light when powered on

Use a dry cloth to clean the light. You can wash with a bit of neutral detergent to remove difficult dirt, dry with a dry soft cloth.

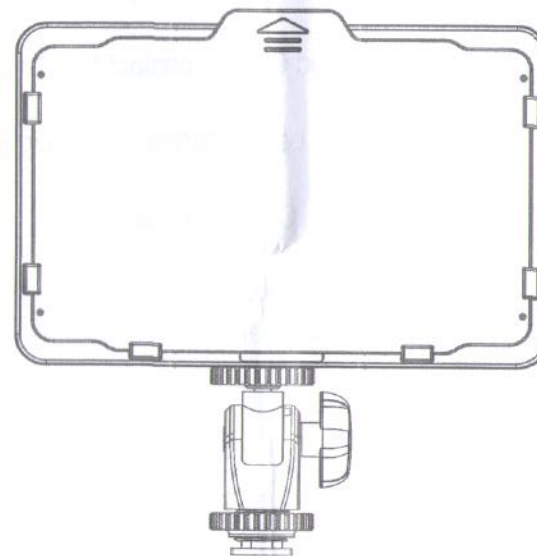
Keep the light out of reach of children

Do not disassemble the light. Touching the internal circuitry could hurt you and damage the function of the light. Please contact bescor for all repair needs.

Please turn off the light when not in use.

bescor

Series LED User Guide



For Support Please Contact
answers@bescor.com

Check Out These Other Great Bescor Products!

Bescor MP101 Motorized Pan Head w/ Remote

Power Adapters & Cables for all Video & DSLR Needs

12 volt & 14.8 volt Battery Systems (Lithium Ion & SLA)

DSLR Camera Battery & Charger Kits

Fluid Head Tripod & Grip/Clip Mounts

Customized Cables, contact for more info

Prosumer Level Affordable LED Lighting

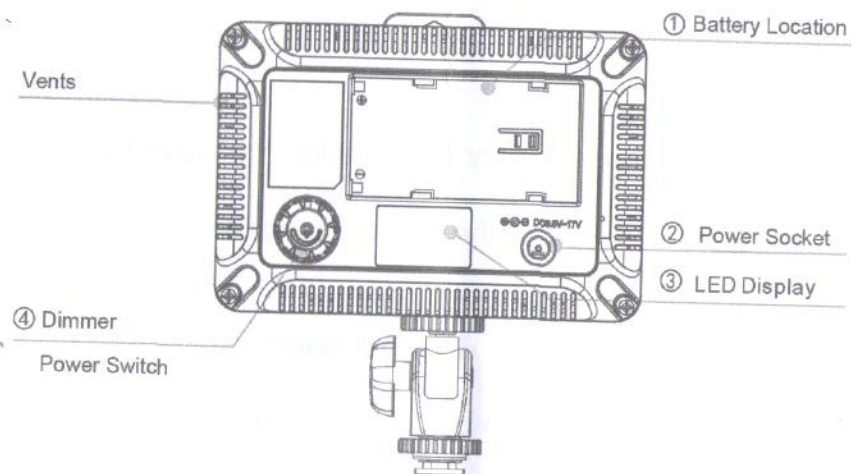
Contact us today!

www.bescor.com
answers@bescor.com

Model Parameter List

Model	XT160
Output Power	180W Equivalent
Luminous Flux	660LM (Tungsten or Daylight) / 1320 LM (Full light mode)
Quantity	176PCS
Color Temperature	3200K-5600K (with included filter) 4400K (Full light mode)
Beam Source	45° (Ultra bright) ϕ 5 LED
Brightness	10%-100%
Life Time	50000h
Rechargeable Battery Type	NP-F550/750/970
Power Input	DC6.5-17V

● Overview



- ① Battery Location
- ② Power Socket
External DC power input
- ③ LED Display

The LED display shows the brightness from 10 to 99 when the dimmer indicator is red, and the color temperature from 32 (00) to 56 (00) Kelvins when the indicator is green.

- ④ Dimmer/Power Switch

Power Switch: Press ④ and hold on for 1 second, turn on the light, then press ④ and hold on for 1 second, the power off.

Brightness control: The brightness is dimmable from 10% to 100%

Color temperature control: 32(00) - 56 (00) Kelvins Shortly press ④ to switch between brightness and color temperature control. Double press ④ to go to full light mode. In full light mode, the dimmer can be controlled from 10 to 99 while the color temperature stays on 4400 Kelvins.